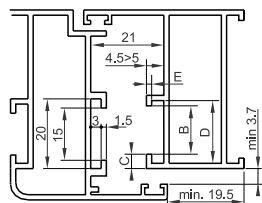
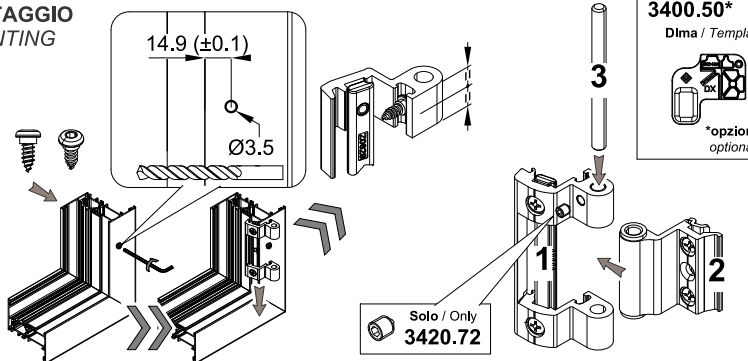


**Riferimento nodo Camera Europea**  
*Euro groove section riferiment*



| CODICE  | B    | C   | D    | E   |
|---------|------|-----|------|-----|
| 3420.72 | 14   | 4   | 18   | 1.5 |
|         | 13.5 | 3.2 | 16.8 | 2.4 |
| 3420.71 | 12   | 2.9 | 15   | 1.5 |
|         | 10   | 4.2 | 14.5 | 1.5 |

**MONTAGGIO**  
*MOUNTING*

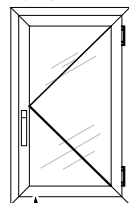


**3400.50\***  
*Dima / Template*

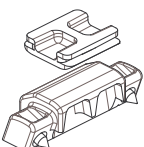
\*opzionale  
*optional*

Solo / Only  
**3420.72**

**BATTENTE**  
*CASEMENT*



**3520.33**  
*Kit sostegno anta*  
*Shutter support kit*



| H    | L    | 600  | 700  | 800  | 900  | 1000 | 1100 | 1200 | 1300 | 1400 |
|------|------|------|------|------|------|------|------|------|------|------|
| 2800 | 100% | 100% | 100% | 100% | 100% | 100% | 100% | 100% | 100% | 100% |
| 2700 | 100% | 100% | 100% | 100% | 100% | 100% | 100% | 100% | 100% | 100% |
| 2600 | 100% | 100% | 100% | 100% | 100% | 100% | 100% | 100% | 100% | 100% |
| 2500 | 100% | 100% | 100% | 100% | 100% | 100% | 100% | 100% | 100% | 100% |
| 2400 | 100% | 100% | 100% | 100% | 100% | 100% | 100% | 100% | 100% | 100% |
| 2300 | 100% | 100% | 100% | 100% | 100% | 100% | 100% | 100% | 100% | 100% |
| 2200 | 100% | 100% | 100% | 100% | 100% | 100% | 100% | 100% | 97%  |      |
| 2100 | 100% | 100% | 100% | 100% | 100% | 100% | 100% | 100% | 90%  |      |
| 2000 | 100% | 100% | 100% | 100% | 100% | 100% | 94%  | 83%  |      |      |
| 1900 | 100% | 100% | 100% | 100% | 100% | 98%  | 86%  | 76%  |      |      |
| 1800 | 100% | 100% | 100% | 100% | 100% | 90%  | 78%  | 69%  |      |      |
| 1700 | 100% | 100% | 100% | 100% | 100% | 95%  | 82%  | 71%  | 61%  |      |
| 1600 | 100% | 100% | 100% | 100% | 85%  | 73%  | 63%  | 54%  |      |      |
| 1500 | 100% | 100% | 100% | 90%  | 76%  | 65%  | 55%  | N.D. |      |      |
| 1400 | 100% | 100% | 100% | 96%  | 80%  | 67%  | 57%  | N.D. |      |      |
| 1300 | 100% | 100% | 100% | 84%  | 70%  | 58%  | N.D. | N.D. |      |      |
| 1200 | 100% | 100% | 90%  | 73%  | 60%  | N.D. | N.D. | N.D. |      |      |
| 1100 | 100% | 97%  | 78%  | 62%  | 50%  | N.D. | N.D. | N.D. |      |      |
| 1000 | 100% | 83%  | 65%  | 51%  | N.D. | N.D. | N.D. | N.D. |      |      |

**SENZA VITE**  
*without screw*

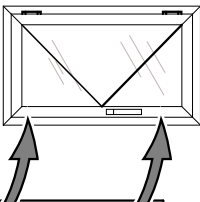
100% = 80kg

| H    | L    | 600  | 700  | 800  | 900  | 1000 | 1100 | 1200 | 1300 | 1400 |
|------|------|------|------|------|------|------|------|------|------|------|
| 2800 | 100% | 100% | 100% | 100% | 100% | 100% | 100% | 100% | 100% | 100% |
| 2700 | 100% | 100% | 100% | 100% | 100% | 100% | 100% | 100% | 100% | 100% |
| 2600 | 100% | 100% | 100% | 100% | 100% | 100% | 100% | 100% | 100% | 100% |
| 2500 | 100% | 100% | 100% | 100% | 100% | 100% | 100% | 100% | 100% | 100% |
| 2400 | 100% | 100% | 100% | 100% | 100% | 100% | 100% | 100% | 100% | 100% |
| 2300 | 100% | 100% | 100% | 100% | 100% | 100% | 100% | 100% | 100% | 100% |
| 2200 | 100% | 100% | 100% | 100% | 100% | 100% | 100% | 100% | 100% | 97%  |
| 2100 | 100% | 100% | 100% | 100% | 100% | 100% | 100% | 100% | 100% | 90%  |
| 2000 | 100% | 100% | 100% | 100% | 100% | 100% | 95%  | 82%  | 71%  | 61%  |
| 1900 | 100% | 100% | 100% | 100% | 100% | 98%  | 86%  | 76%  |      |      |
| 1800 | 100% | 100% | 100% | 100% | 100% | 90%  | 78%  | 69%  |      |      |
| 1700 | 100% | 100% | 100% | 100% | 100% | 95%  | 82%  | 71%  | 61%  |      |
| 1600 | 100% | 100% | 100% | 100% | 85%  | 73%  | 63%  | 54%  |      |      |
| 1500 | 100% | 100% | 100% | 100% | 90%  | 76%  | 65%  | 55%  | N.D. |      |
| 1400 | 100% | 100% | 100% | 96%  | 80%  | 67%  | 57%  | N.D. | N.D. |      |
| 1300 | 100% | 100% | 100% | 84%  | 70%  | 58%  | N.D. | N.D. | N.D. |      |
| 1200 | 100% | 100% | 90%  | 73%  | 60%  | N.D. | N.D. | N.D. | N.D. |      |
| 1100 | 100% | 97%  | 78%  | 62%  | 50%  | N.D. | N.D. | N.D. | N.D. |      |
| 1000 | 100% | 83%  | 65%  | 51%  | N.D. | N.D. | N.D. | N.D. | N.D. |      |

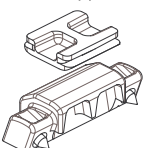
**CON VITE**  
*with screw*

100% = 120kg

**SPORGERE**  
*PROJECTING OPENING*



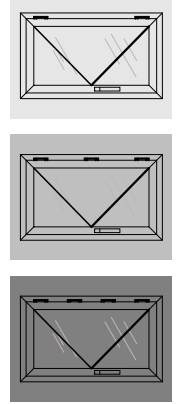
**3520.33**  
*Kit sostegno anta*  
*Shutter support kit*



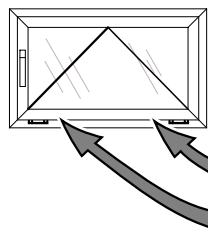
| H    | L    | 300  | 400  | 500  | 600  | 700  | 800  | 900  | 1000 | 1100 | 1200 | 1300 | 1400 | 1500 | 1600 | 1700 | 1800 | 1900 | 2000 |
|------|------|------|------|------|------|------|------|------|------|------|------|------|------|------|------|------|------|------|------|
| 2000 | 100% | 100% | 100% | 100% | 100% | 100% | 100% | 100% | 100% | 100% | 100% | 100% | 100% | 100% | 100% | 100% | 100% | 100% | 100% |
| 1900 | 100% | 100% | 100% | 100% | 100% | 100% | 100% | 100% | 100% | 100% | 100% | 100% | 100% | 100% | 100% | 100% | 100% | 100% | 100% |
| 1800 | 100% | 100% | 100% | 100% | 100% | 100% | 100% | 100% | 100% | 100% | 100% | 100% | 100% | 100% | 100% | 100% | 100% | 100% | 100% |
| 1700 | 100% | 100% | 100% | 100% | 100% | 100% | 100% | 100% | 100% | 100% | 100% | 100% | 100% | 100% | 100% | 100% | 100% | 100% | 100% |
| 1600 | 100% | 100% | 100% | 100% | 100% | 100% | 100% | 100% | 100% | 100% | 100% | 100% | 100% | 100% | 100% | 100% | 100% | 100% | 100% |
| 1500 | 100% | 100% | 100% | 100% | 100% | 100% | 100% | 100% | 100% | 100% | 100% | 100% | 100% | 100% | 100% | 100% | 100% | 100% | 100% |
| 1400 | 100% | 100% | 100% | 100% | 100% | 100% | 100% | 100% | 100% | 100% | 100% | 100% | 100% | 100% | 100% | 100% | 100% | 100% | 100% |
| 1300 | 100% | 100% | 100% | 100% | 100% | 100% | 100% | 100% | 100% | 100% | 100% | 100% | 100% | 100% | 100% | 100% | 100% | 100% | 100% |
| 1200 | 100% | 100% | 100% | 100% | 100% | 100% | 100% | 100% | 100% | 100% | 100% | 100% | 100% | 100% | 100% | 100% | 100% | 100% | 100% |
| 1100 | 100% | 100% | 100% | 100% | 100% | 100% | 100% | 100% | 100% | 100% | 100% | 100% | 100% | 100% | 100% | 100% | 100% | 100% | 100% |
| 1000 | 100% | 100% | 100% | 100% | 100% | 100% | 100% | 100% | 100% | 100% | 100% | 100% | 100% | 100% | 100% | 100% | 100% | 100% | 100% |
| 900  | 100% | 100% | 100% | 100% | 100% | 100% | 100% | 100% | 100% | 100% | 100% | 100% | 100% | 100% | 100% | 100% | 100% | 100% | 100% |
| 800  | 100% | 100% | 100% | 100% | 100% | 100% | 100% | 100% | 100% | 100% | 100% | 100% | 100% | 100% | 100% | 100% | 100% | 100% | 100% |
| 700  | 100% | 100% | 100% | 100% | 100% | 100% | 100% | 100% | 100% | 100% | 100% | 100% | 100% | 100% | 100% | 100% | 100% | 100% | 100% |
| 600  | 100% | 100% | 100% | 100% | 100% | 100% | 100% | 100% | 100% | 100% | 100% | 100% | 100% | 100% | 100% | 100% | 100% | 100% | 100% |
| 500  | 100% | 100% | 100% | 100% | 100% | 100% | 100% | 100% | 100% | 100% | 100% | 100% | 100% | 100% | 100% | 100% | 100% | 100% | 100% |
| 400  | 100% | 100% | 100% | 100% | 100% | 100% | 100% | 100% | 100% | 100% | 100% | 100% | 100% | 100% | 100% | 100% | 100% | 100% | 100% |
| 300  | 100% | 100% | 100% | 100% | 100% | 100% | 100% | 100% | 100% | 100% | 100% | 100% | 100% | 100% | 100% | 100% | 100% | 100% | 100% |

**CON VITE**  
*with screw*

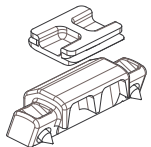
100% = 120kg



**VASISTAS PESANTE**  
*HEAVY BOTTOM HINGE WINDOW*

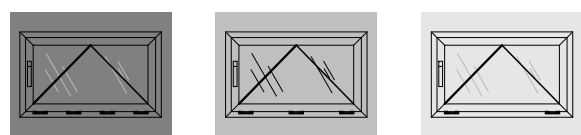


**3520.33**  
*Kit sostegno anta*  
*Shutter support kit*



**CON VITE**  
*with screw* 100%=200kg

| H    | L   | 500  | 1100 | 1600 | 2000 |
|------|-----|------|------|------|------|
| 2000 | 90% | 100% | 100% | 100% | 100% |
| 1600 | 75% | 100% | 100% | 100% |      |
| 1100 | 75% | 100% | 100% | 90%  |      |
| 500  | 60% | 60%  | 75%  | 100% |      |



**STRINGA DI PRODOTTO | CLASSIFICATION - EN 1935:2004**

| ART.       | Categoria d'uso<br><i>Category of Us</i> | Durabilità<br><i>Durability</i> | Massa<br><i>Mass</i> | Resistenza Fuoco<br><i>Fire Resistance</i> | Sicurezza di utilizzo<br><i>Safety in Use</i> | Resistenza corrosione<br><i>Corrosion Resistance</i> | Resistenza effrazione<br><i>Security</i> | GRADO<br><i>GRADE</i> |
|------------|--|---------------------------------|----------------------|--|---|--|--|-----------------------|
| 3420.71/72 | 1  | 4                               | 3                    | 0  | 1   | 4  | 0  | 9                     |

