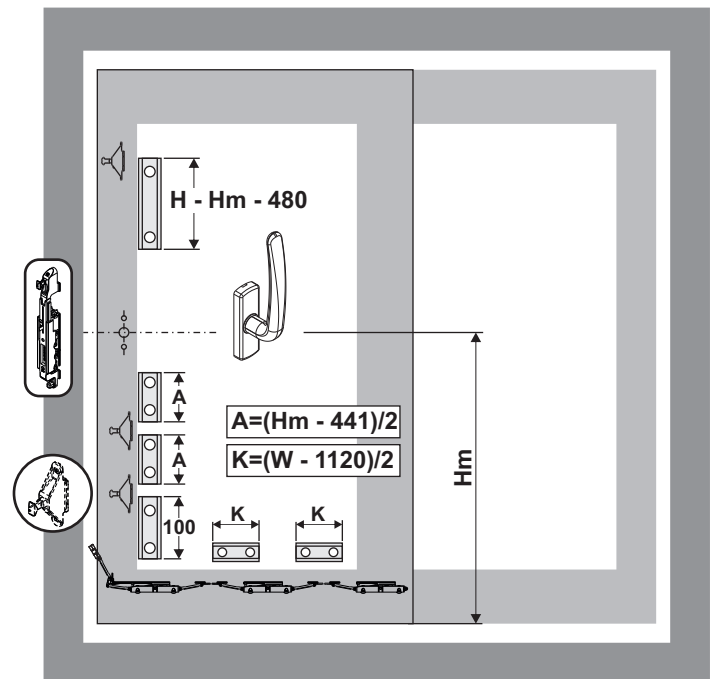
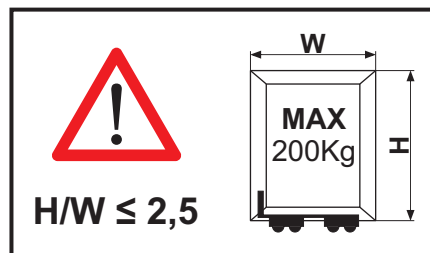
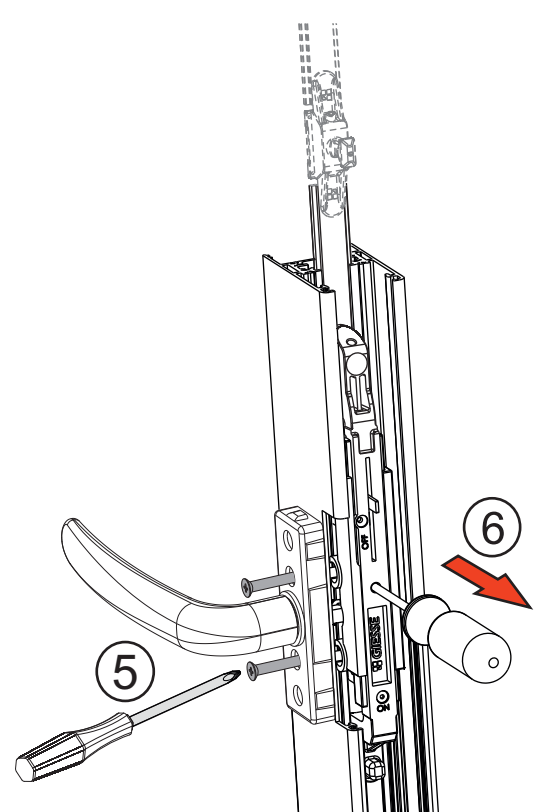
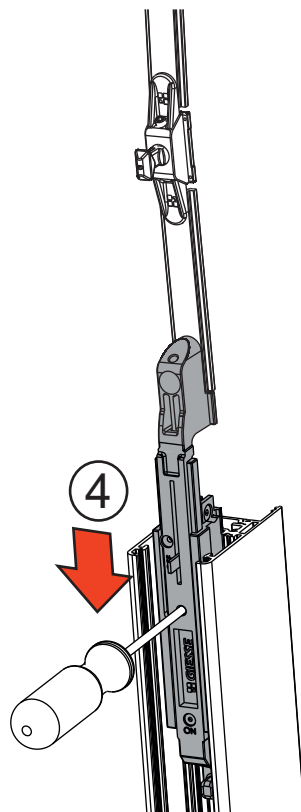
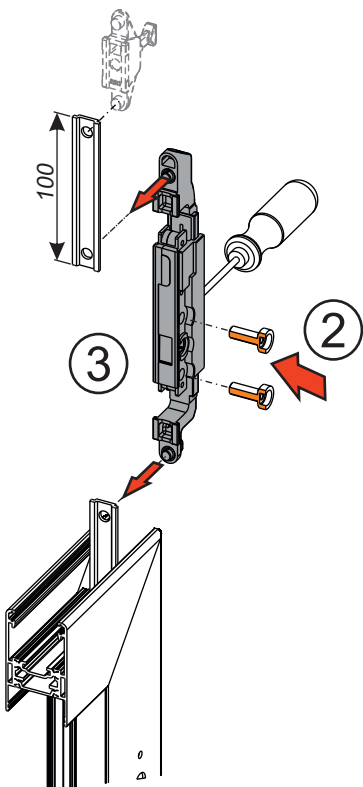
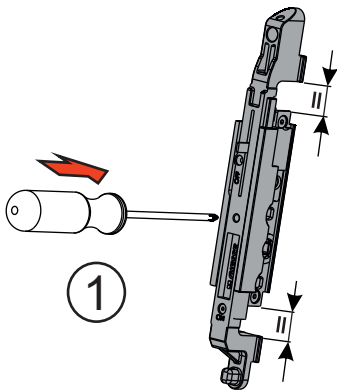
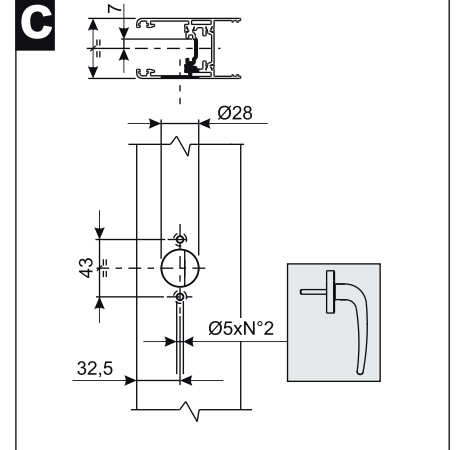
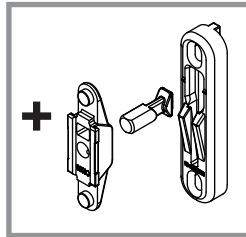
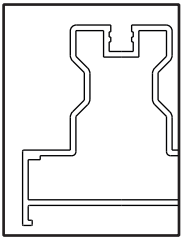
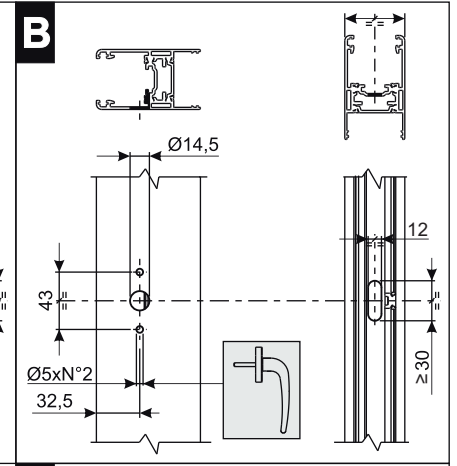
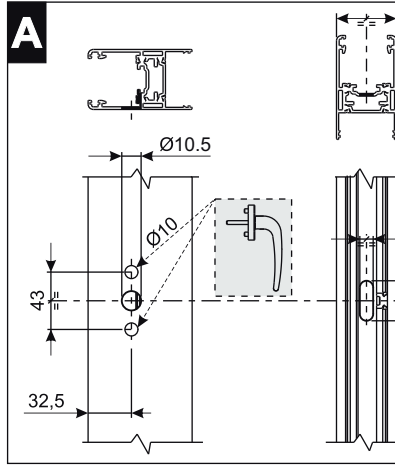
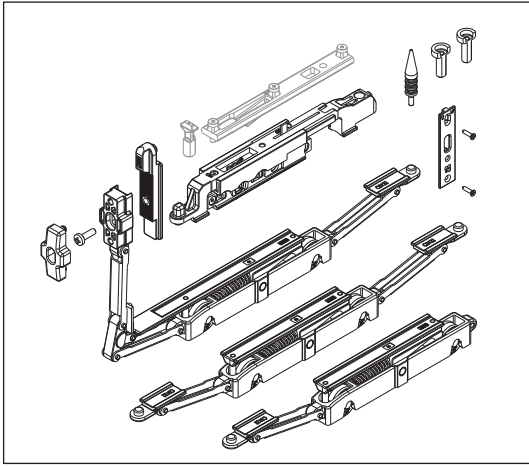


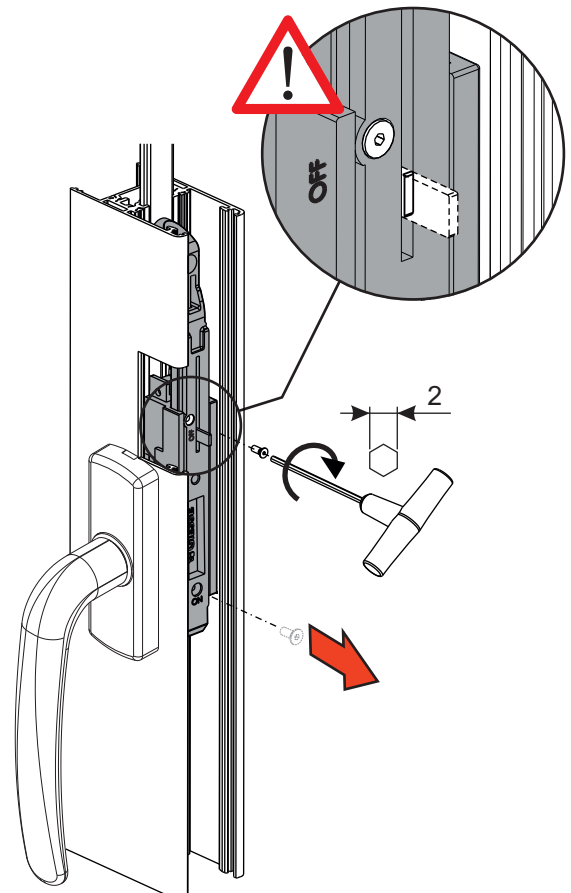
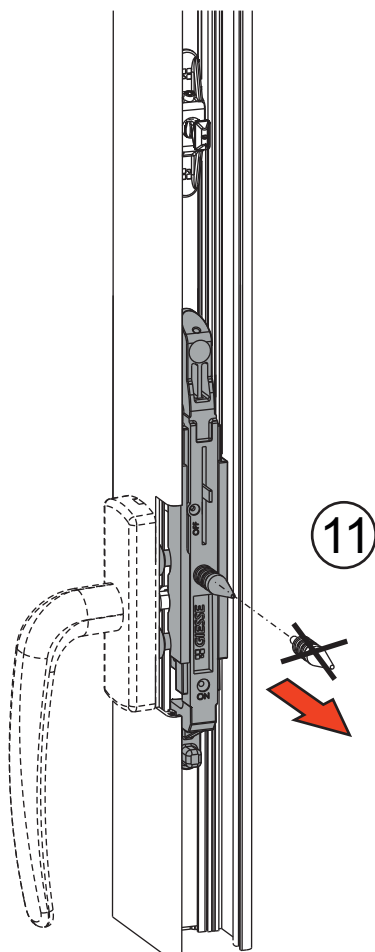
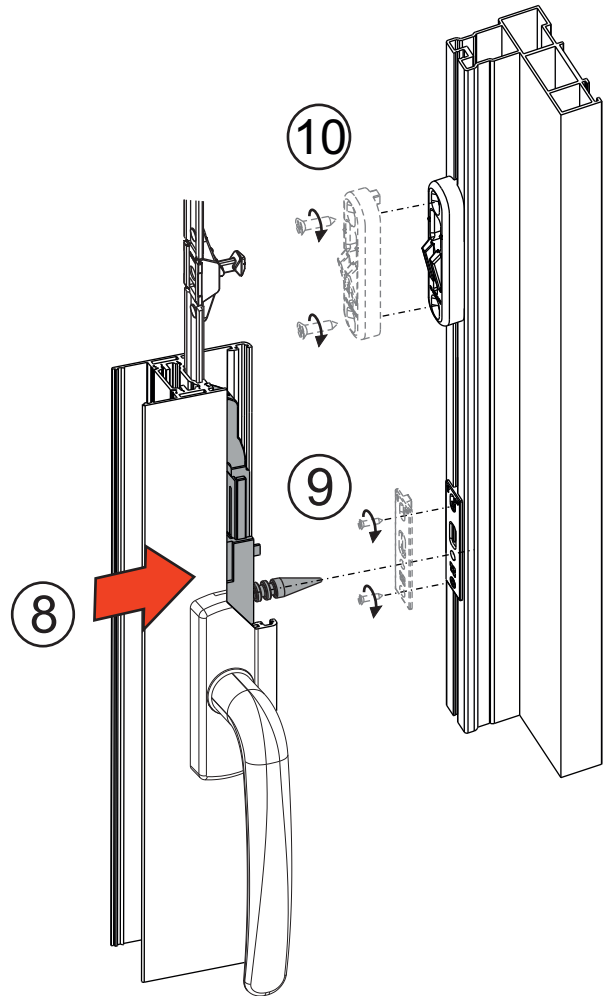
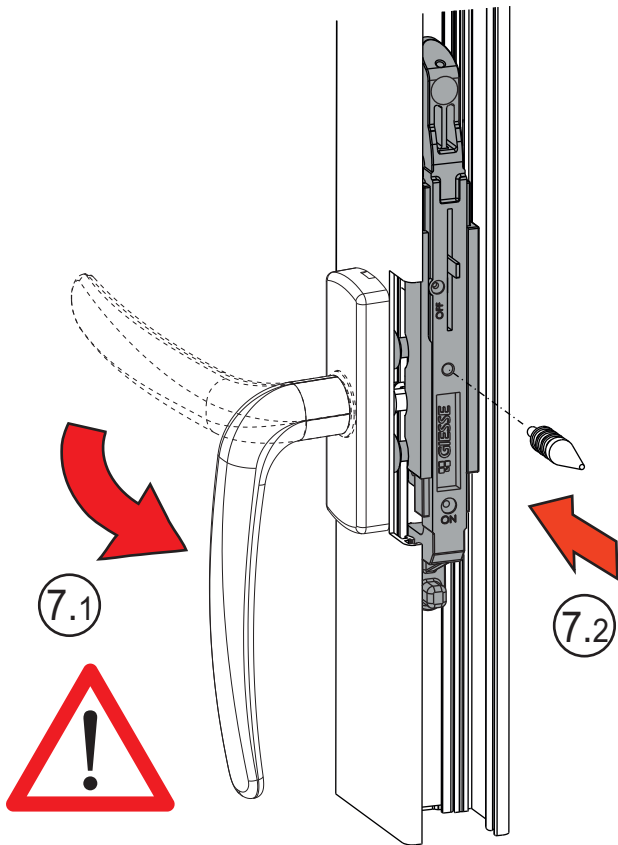
$W \geq 1600$

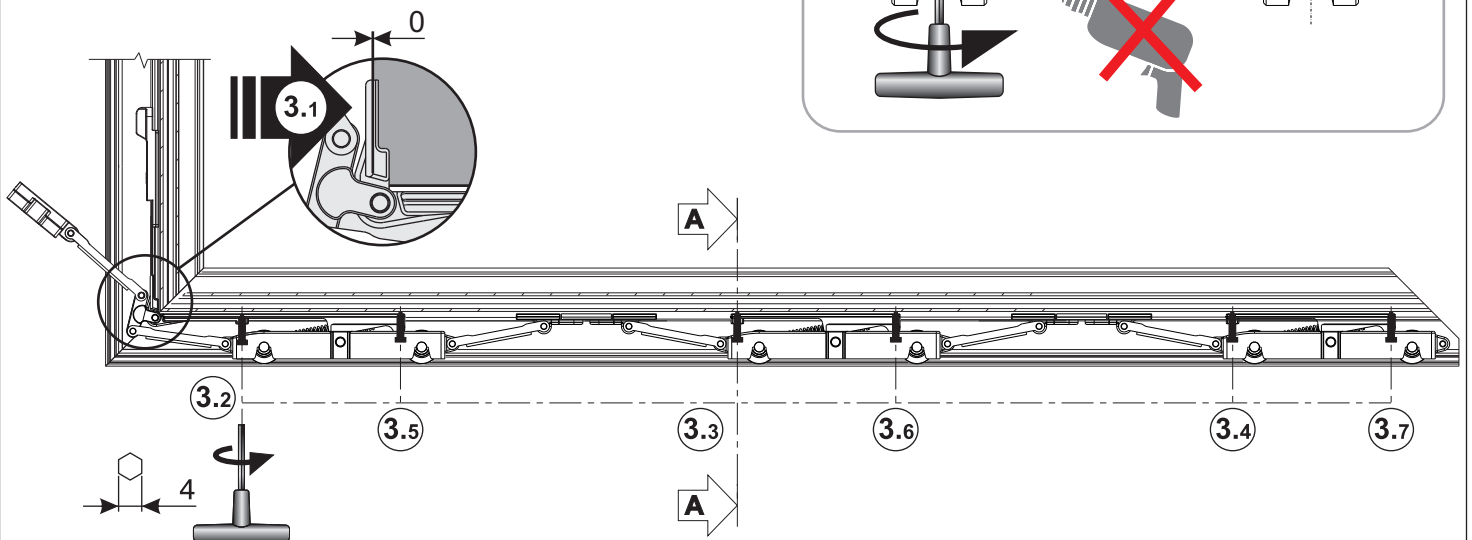
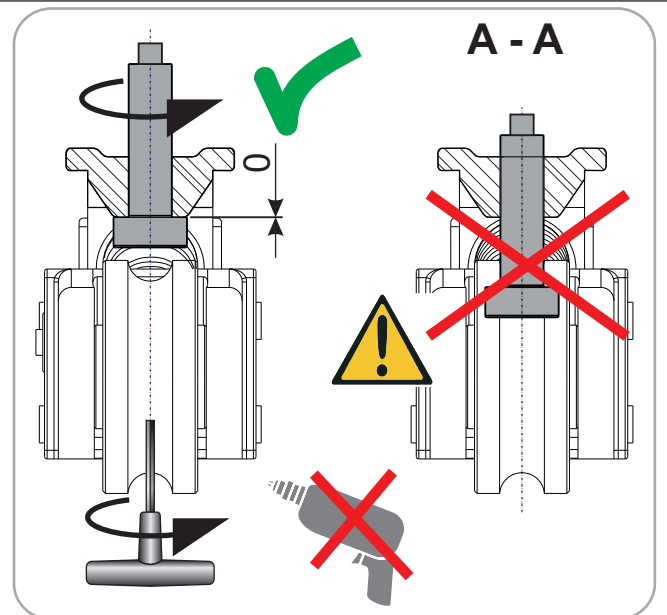
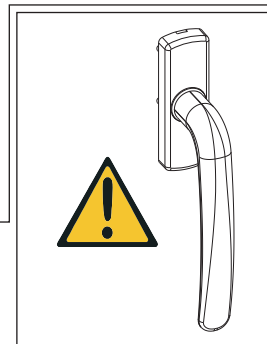
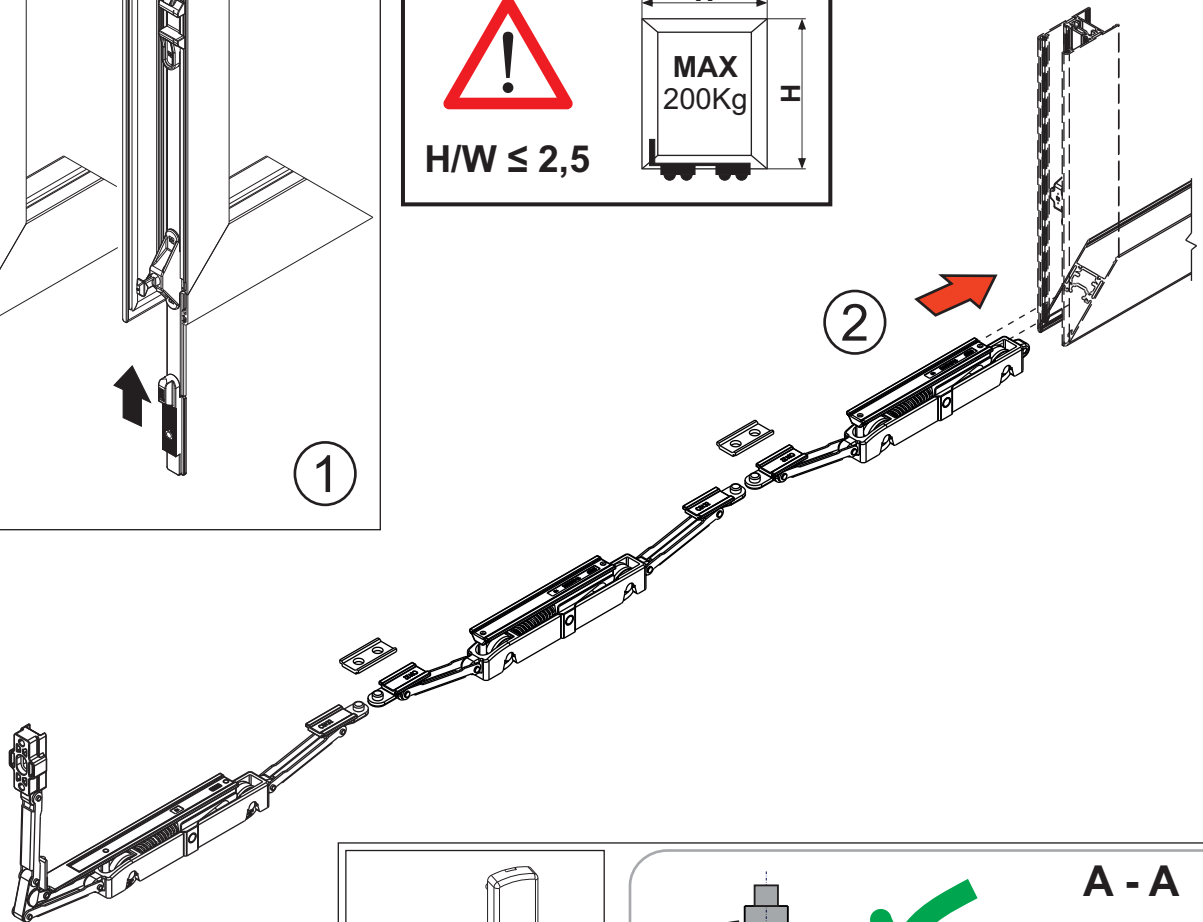
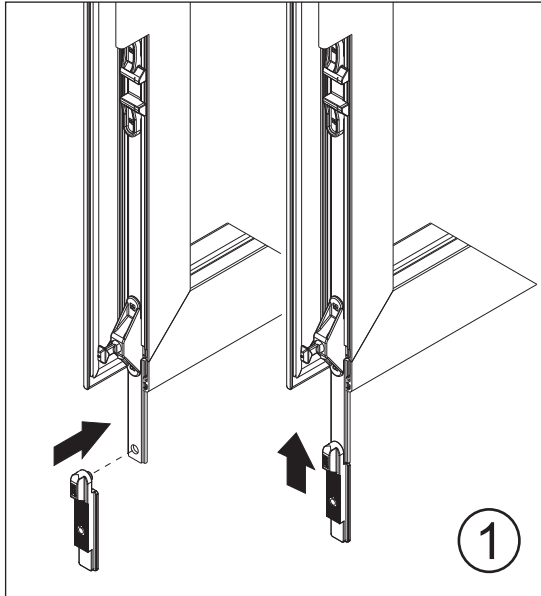


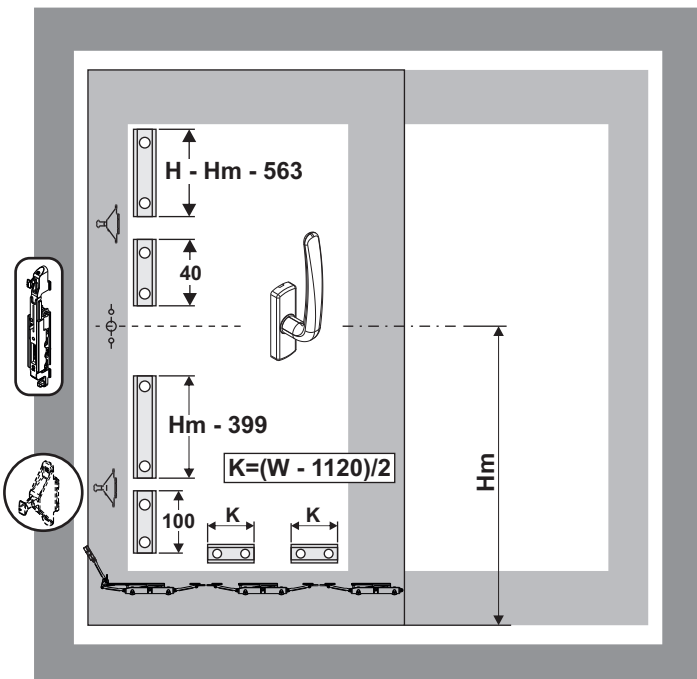
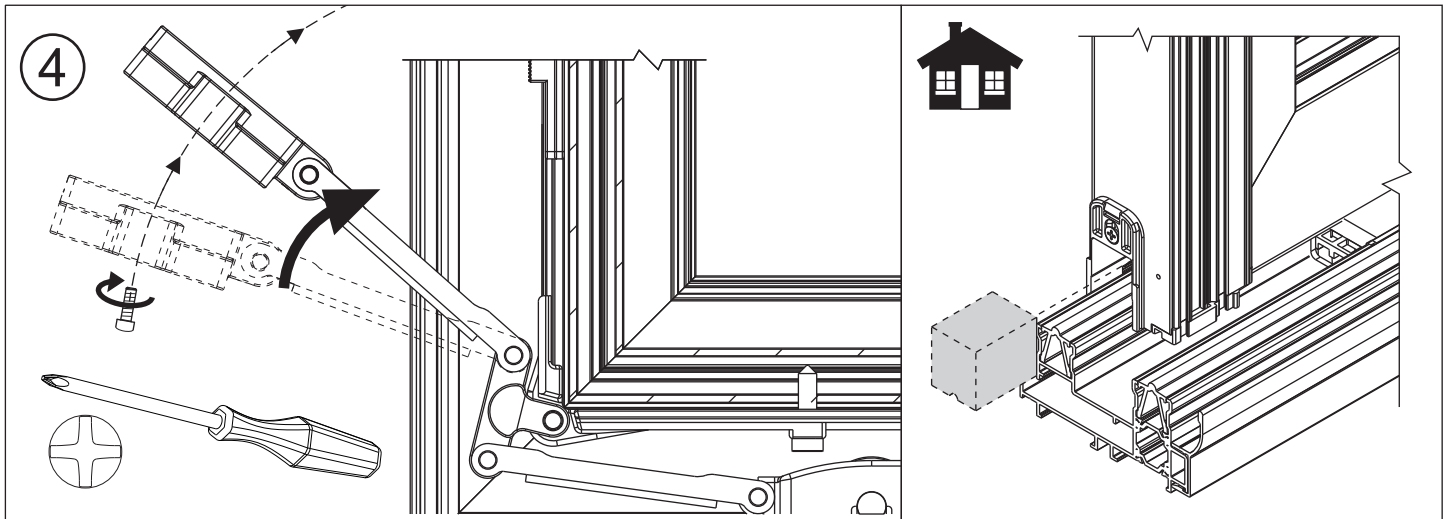
$W \geq 1600$



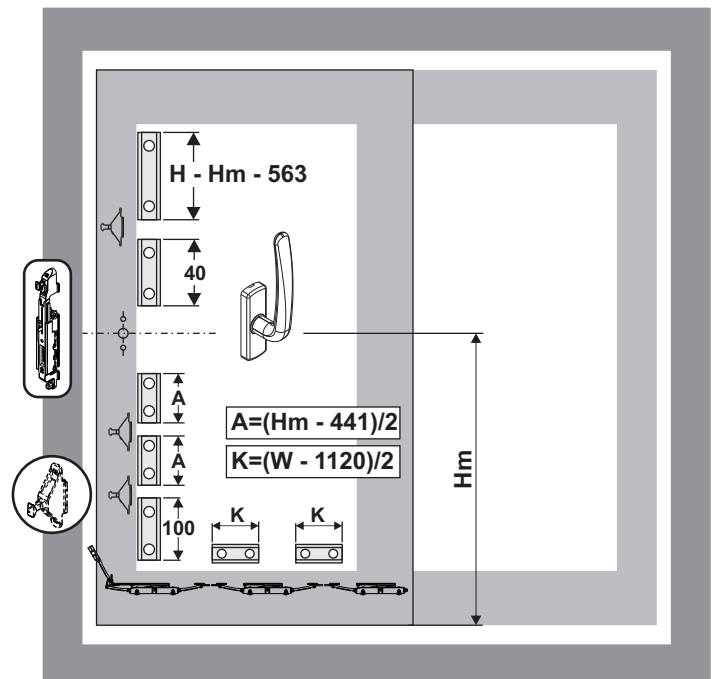








$W \geq 1600$



$W \geq 1600$

